



Bentone BF1

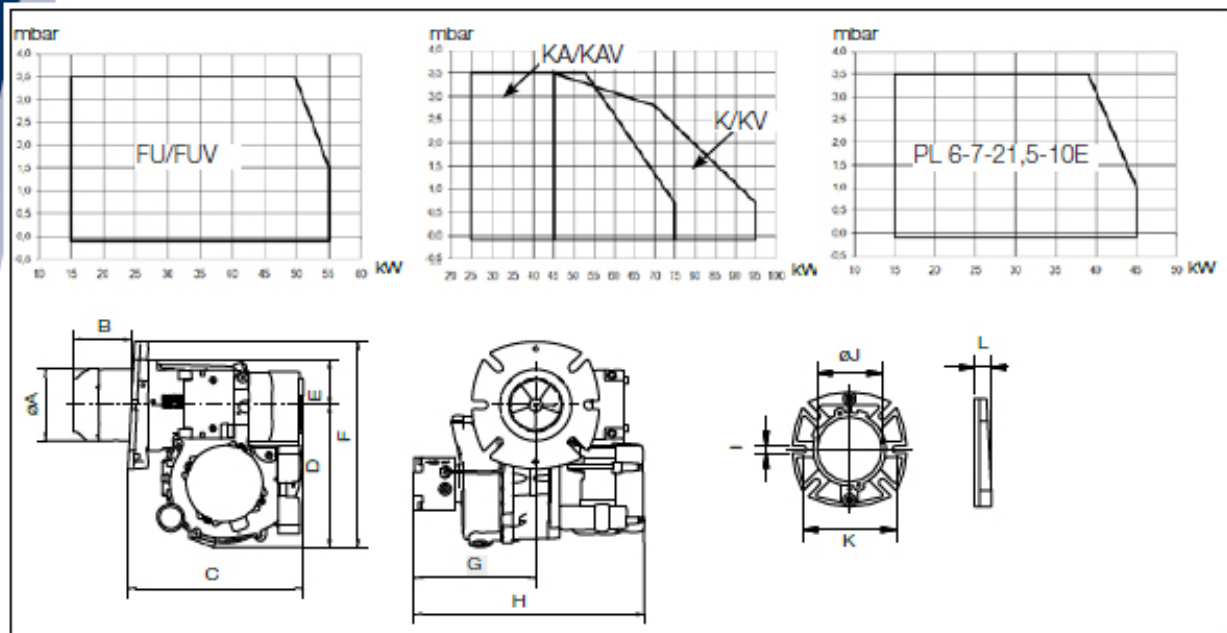
1,3–8,0 kg/h (15-95kW)

Oil Burner

- Energy saving and compatible with environmental requirements
- Designed for easy regulation and maintenance
- Reliable and trouble free
- Designed and approved in accordance with the European standard EN 267
- Suitable for High Resistance/ Condensing boilers
- Industry standard components easily available
- Designed for on/off and 2-stage operation
- Plug-in contact facilitates the installation
- High flexibility with reference to different options

Type	Typ	Type	BF1				
Model	Modell	Modèle	FU/FLV 63-16	KA/KAV 76-22	K/KV 76-26	PL 6-7-21,5-10E	
Capacity	Leistung	Débit	kg/h	1,3-4,6	2,1-6,3	3,8-8,0	1,3-3,8
			KW	15,0-65,0	25,0-75,0	45,0-95,0	15,0-45,0
Motor	Motor	Moteur	230V/50/110				
Control box	Ölfeuerungsautomat	Coffret de sécurité	Siemens				
Oil preheater	Ölvorwärmer	Réchauffeur	x	*	x	*	
Fuel pump	Ölpumpe	Pompe à fuel	Suntec, Danfoss				
Adjustable burner head	Verstellbare Mischleinrichtung	Tête de combustion réglable	*				
Full cover	Haube-ganzdeckend	Capôt complet	*				
Half cover	Haube-halbdeckend	Demi-capôt	*				
Ducted air inlet	Raumluftunabhängige Verbrennungsluftansaugung	Raccordement possible de l'arrivée d'air sur un conduit extérieur	*				
Slencer	Schalldämpfer	Silencieux	*				
Automatic air damper	Automatische Luftansaugvorrichtung	Clapet d'air automatique	*				
Air grid	Luftgitter	Grille d'air	*				
2-stage	2-Stufen	2-allures	*				
Gross weight	Gewicht, brutto	Poids brut	kg c.	10			
Volume	Volumen	Volume	m ³ c.	0,045			

* Standard * Accessoires/Zubehören/Accessoires



aA	B	C	D	E	F	G	H	I	aJ	K	L
89	*	217	176	55	255	150	285	12	89,5	130-150	25

* BBlast tube lengths * BBrennerrohrängen * B Longueur du tube diffuseur

• Standard

BF1 FU/FUV 63-16	BF1 KA/KAV 76-22	BF1 K/KV 76-26	BF1 PL 6-7-21,5-10E
68	82	82	43
148	189	189	122
• 98	• 112	• 112	• 92